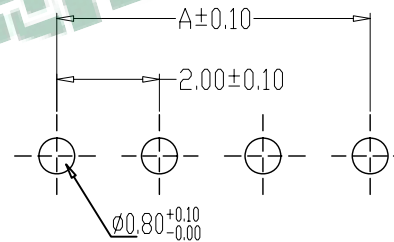
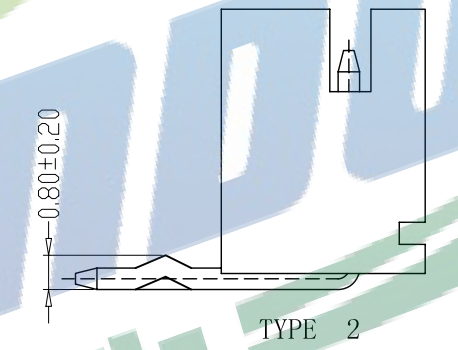
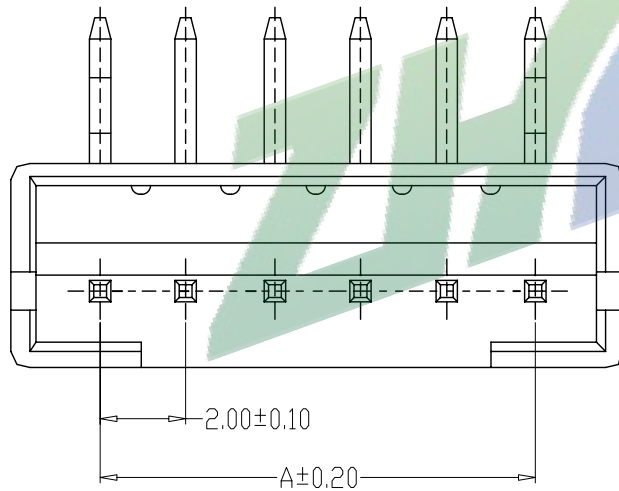


SPECIFICATIONS

- 1、Current Rating: 2A AC, DC
- 2、Voltage Rating: 250V AC, DC
- 3、Temperature Range: -25°C ~ +85°C
- 4、Contact Resistance: 20mΩ Max
- 5、Insulation Resistance: 1000MΩ Min
- 6、Withstanding Voltage: 800V AC/minute
- 7、Material: Wafer Nylon66, UL94V-0  
PIN Brass Tin-plated



PCB LAYOUT

编号	尺寸 (mm)	
	A	B
ZDX15-02AW-200	2.00	6.00
ZDX15-03AW-200	4.00	8.00
ZDX15-04AW-200	6.00	10.00
ZDX15-05AW-200	8.00	12.00
ZDX15-06AW-200	10.00	14.00
ZDX15-07AW-200	12.00	16.00
ZDX15-08AW-200	14.00	18.00
ZDX15-09AW-200	16.00	20.00
ZDX15-10AW-200	18.00	22.00
ZDX15-11AW-200	20.00	24.00
ZDX15-12AW-200	22.00	26.00
ZDX15-16AW-200	30.00	34.00

**振端精密科技 (深圳) 有限公司**  
Zhenduan precision technology (Shenzhen) Co., Ltd

TOLERANCE: X.X ±0.30 X.XX ±0.25 X.XXX ±0.15 X' ±2' X.X' ±0.5'	DRAWN BY : 刘志强	DATE : 2016.05.08	PART NAME: 2.0 弯针	
	CHECKED BY: 罗秋海	DATE : 2016.05.08	PART NO.	
UNIT: mm [inch] SCALE:1:1 SIZE: A4	APPROVED BY: 陈鸣杰	DATE : 2016.05.08	MOLD NO.	
			DRAW NO.	
			SHEET NO.	1 OF 1