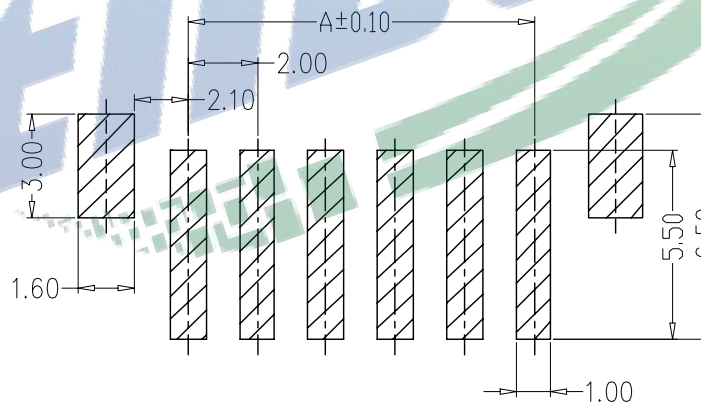
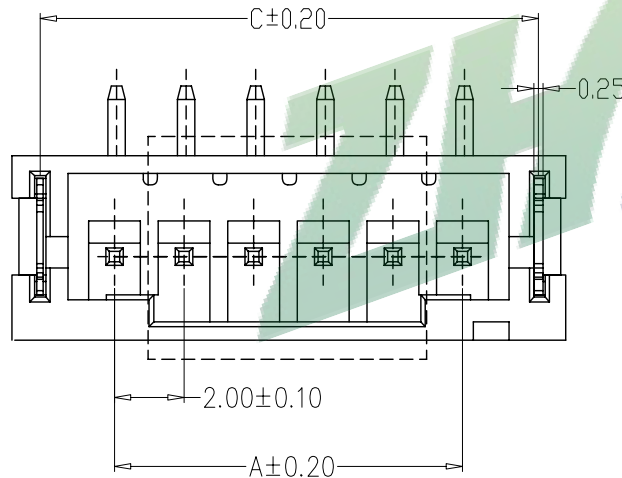


SPECIFICATIONS

- 1、Current Rating: 2A AC, DC
- 2、Voltage Rating: 250V AC, DC
- 3、Temperatuer Range:  $-25^{\circ}\text{C} \sim +85^{\circ}\text{C}$
- 4、Contact Resistance:  $20\text{m}\Omega$  Max
- 5、Insulation Resistance:  $1000\text{M}\Omega$  Min
- 6、Withstanding Voltang: 800V AC/minute
- 7、Material: Wafer Nylon 6T, UL94V-0  
PIN Brass Tin-plated  
Solder tad Phosphoric bronze Tin-plated



编 号	尺寸 (mm)		
	A	B	C
ZDX15-LF02-200	2.00	8.00	6.50
ZDX15-LF03-200	4.00	10.00	8.50
ZDX15-LF04-200	6.00	12.00	10.50
ZDX15-LF05-200	8.00	14.00	12.50
ZDX15-LF06-200	10.00	16.00	14.50
ZDX15-LF07-200	12.00	18.00	16.50
ZDX15-LF08-200	14.00	20.00	18.50
ZDX15-LF09-200	16.00	22.00	20.50
ZDX15-LF10-200	18.00	24.00	22.50
ZDX15-LF11-200	20.00	26.00	24.50
ZDX15-LF12-200	22.00	28.00	26.50
ZDX15-LF16-200	30.00	36.00	34.50

PCB LAYOUT

**zhenduan** 振端精密科技 (深圳) 有限公司  
Zhenduan precision technology (Shenzhen) Co., Ltd

TOLERANCE: X.X $\pm 0.30$ X.XX $\pm 0.25$ X.XXX $\pm 0.15$ X' $\pm 2'$ X.X' $\pm 0.5'$	DRAWN BY : 刘志强	DATE : 2016.05.08	PART NAME: 2.0 立贴	
	CHECKED BY: 罗秋海	DATE : 2016.05.08	PART NO.	
UNIT: mm [inch] SCALE:1:1 SIZE: A4	APPROVED BY: 陈鸣杰	DATE : 2016.05.08	MOLD NO.	
			DRAW NO:	
			SHEET NO.	1 OF 1