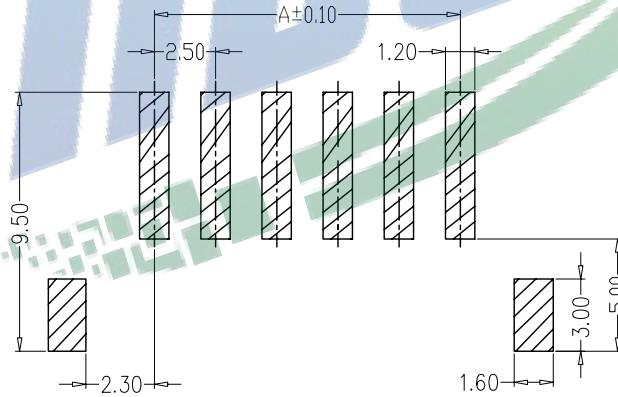
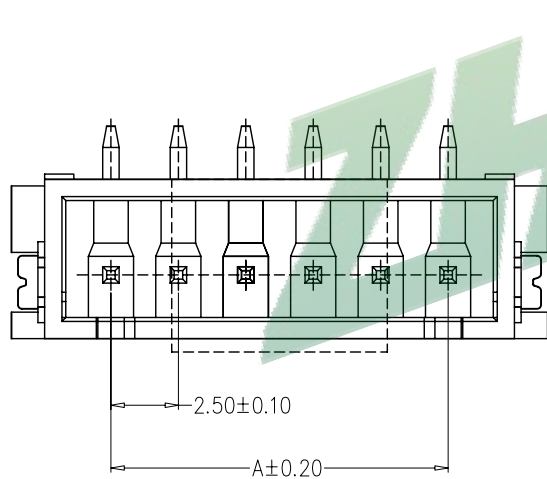


SPECIFICATIONS

- 1、Current Rating: 3A AC, DC
- 2、Voltage Rating: 250V AC, DC
- 3、Temperatuer Range: -25℃~+85℃
- 4、Contact Resistance: 20mΩ Max
- 5、Insulation Resistance: 1000MΩ Min
- 6、Withstanding Voltang: 1000V AC/minute
- 7、Material: Wafer LCP、PA6T、UL94V-0
PIN Brass Tin-plated
Solder tad Phosphoric bronze Tin-plated



PCB LAYOUT

编 号	尺寸 (mm)		
	A	B	C
ZDX61-LF02-250	2.50	7.50	10.00
ZDX61-LF03-250	5.00	10.00	12.50
ZDX61-LF04-250	7.50	12.50	15.00
ZDX61-LF05-250	10.00	15.00	17.50
ZDX61-LF06-250	12.50	17.50	20.00
ZDX61-LF07-250	15.00	20.00	22.50
ZDX61-LF08-250	17.50	22.50	25.00
ZDX61-LF09-250	20.00	25.00	27.50
ZDX61-LF10-250	22.50	27.50	30.00
ZDX61-LF11-250	25.00	30.00	32.50
ZDX61-LF12-250	27.50	32.50	35.00
ZDX61-LF20-250	47.50	52.50	55.00

zhenduan 振端精密科技 (深圳) 有限公司
Zhenduan precision technology (Shenzhen) Co., Ltd

TOLERANCE: X.X ±0.30 X.XX ±0.25 X.XXX ±0.15 X.' ±2' X.X' ±0.5'	DRAWN BY : 刘志强	DATE : 2016.05.08	PART NAME: 2.54PH 立贴	
	CHECKED BY: 罗秋海	DATE : 2016.05.08	PART NO.	
UNIT: mm [inch] SCALE:1:1 SIZE: A4	APPROVED BY: 陈鸣杰	DATE : 2016.05.08	MOLD NO.	
			DRAW NO:	
			SHEET NO.	1 OF 1