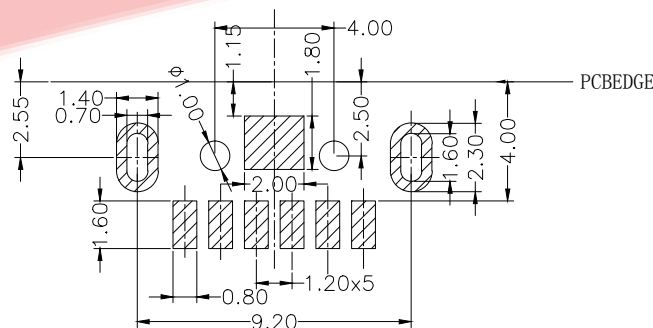
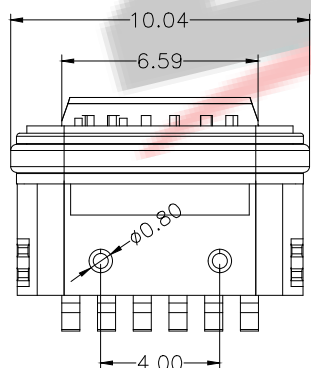


Note:

- Material:
 - Housing: PA9T
 - Contact: C5191, t=0.20mm
 - Shell: Kirsite
- ELECTRICAL:
 - CURRENT RATING: VBUS AND GND CONTACTS RATED AT 1.25A PARALLEL FOR A TOTAL OF 5A;
 - INITIAL CONTACT RESISTANCE: 40 MEGOHMS
 - DIELECTRIC WITHSTANDING VOLTAGE: 100VAC MIN;
- MECHANICAL CHARACTERISTICS:
 - MATING FORCE: 5~20N
 - UNMATING FORCE: 8~20N (INITIAL), 6~20N (AFTER 10000 CYCLES)
 - FREQUENCY: 200±50 CYCLES / HOUR, 10000 CYCLES
 - OPERATING TEMPERATURE: -40° ~ 80° .
- WATERPROOF: IP-X7.



PCB LAYOUT 图仅供参考

A5	CC1	B12	GND
A9	VBUS	B9	VBUS
A12	GND	B5	GND
PIN	SIGNAL NAME	PIN	SIGNAL NAME

ZDX 深圳市兆达鑫科技有限公司
Shenzhen Zhao Xin Technology Co., Ltd.

TOLERANCE: XX ±0.30 X:XX ±0.20 X:XXX ±0.10 X:.. ±0.10 X:.. ±0.05	DRAWN BY : 刘志强	DATE : 2015.08.18	PART NAME: TYPE-C6P防水后两脚 卧式贴板U型粉末冶金L6.65
UNIT: mm [inch] SCALE:1:1 SIZE: A4	CHECKED BY: 李毅	DATE : 2015.08.18	PART NO. SEE TABLE MOLD NO.
	APPROVED BY: 张少辉	DATE : 2015.08.18	DRAW NO: ZDHS0600FS213 SHEET NO. 1 OF 1