

RECOMMENDED P.C.B. LAYOUT
TOLERANCE UNSPECIFIED ±0.05mm

规格说明: Specifications:

电气特性: Electrical:

1. 额定电流: Current Rating
3.0A/contact terminal
2. 额定电压: Voltage Rating
30V DC
3. 接触阻抗: Contact Resistance
30 milliohms MAX
4. 耐电压: Dielectric Withstanding Voltage:
500 V AC AT Sea Level
5. 绝缘阻抗: Insulation Resistance:
1000MEGA ohms MIN

物理性能: Mechanical:

1. 插拔力: Connector Mate and Unmate Force
Mate force: 3.57kgf(MAX)
Unmate force: 1.02kgf(MIN)

原材料: Material:

1. 塑胶: Housing: LCP+30%GF
2. 端子: Contact: Copper Alloy 高导电: C2680-EH
3. 外壳: Shell: Copper Alloy C201 不锈钢

电镀: Finish:

1. 端子: Contact: Plated Gold in Mating Area;
Tin On Solder Tails

端子四周镀50-80U”(MIN)镍底, 80-120U”锡, 刷金1U”

2. 外壳: Shell:

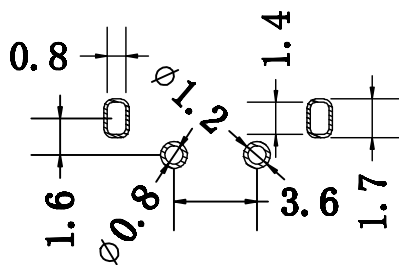
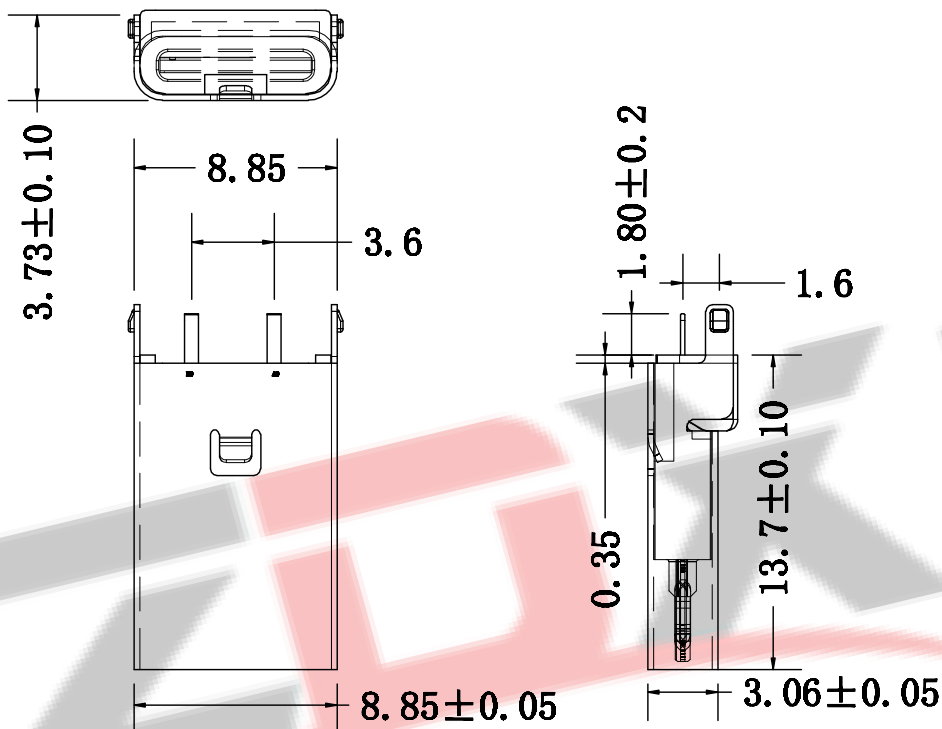
不锈钢壳四周镀80U”(MIN)镍底,

PIN ASSIGNMENTS

A5	CC1	B12	GND
A9	VBUS	B9	VBUS
A12	GND	B5	CC2
PIN	SIGNAL NAME	PIN	SIGNAL NAME

ZDX 深圳市兆达鑫科技有限公司
Shenzhen Zhao Xin Technology Co., Ltd.

TOLERANCE: X.XX ±0.30 X.XXX ±0.20 X.XXX ±0.10 X.XX ±0.05 X.X ±0.025	DRAWN BY : 刘志强	DATE : 2015.08.18	PART NAME: TYPE-C2PIN立式插板H13.1	
	CHECKED BY: 李毅	DATE : 2015.08.18	PART NO.	SEE TABLE
 UNIT: mm [inch] SCALE: 1:1 SIZE: A4	APPROVED BY: 张少辉	DATE : 2015.08.18	MOLD NO.	
			DRAW NO: ZDJNKJ00002201	SHEET NO. 1 OF 1



RECOMMENDED P.C.B. LAYOUT
TOLERANCE UNSPECIFIED ±0.05mm

规格说明: Specifications:

电气特性: Electrical:

1. 额定电流: Current Rating
3.0A/contact terminal
2. 额定电压: Voltage Rating
30V DC
3. 接触阻抗: Contact Resistance
30 milliohms MAX
4. 耐电压: Dielectric Withstanding Voltage:
500 V AC AT Sea Level
5. 绝缘阻抗: Insulation Resistance:
1000MEGA ohms MIN

物理性能: Mechanical:

1. 插拔力: Connector Mate and Unmate Force
Mate force: 3.57kgf(MAX)
Unmate force: 1.02kgf(MIN)

原材料: Material:

1. 塑胶: Housing: LCP+30%GF
2. 端子: Contact: Copper Alloy 高导电: C2680-EH
3. 外壳: Shell: Copper Alloy C201 不锈钢

电镀: Finish:

1. 端子: Contact: Plated Gold in Mating Area;
Tin On Solder Talls

端子四周镀50-80U”(MIN)镍底, 80-120U”锡, 刷金1U”

2. 外壳: Shell:

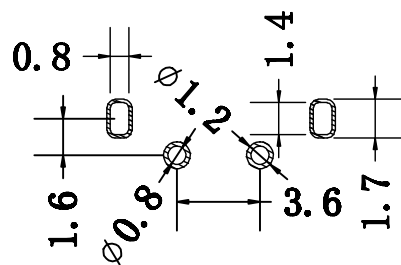
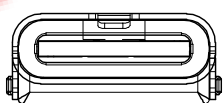
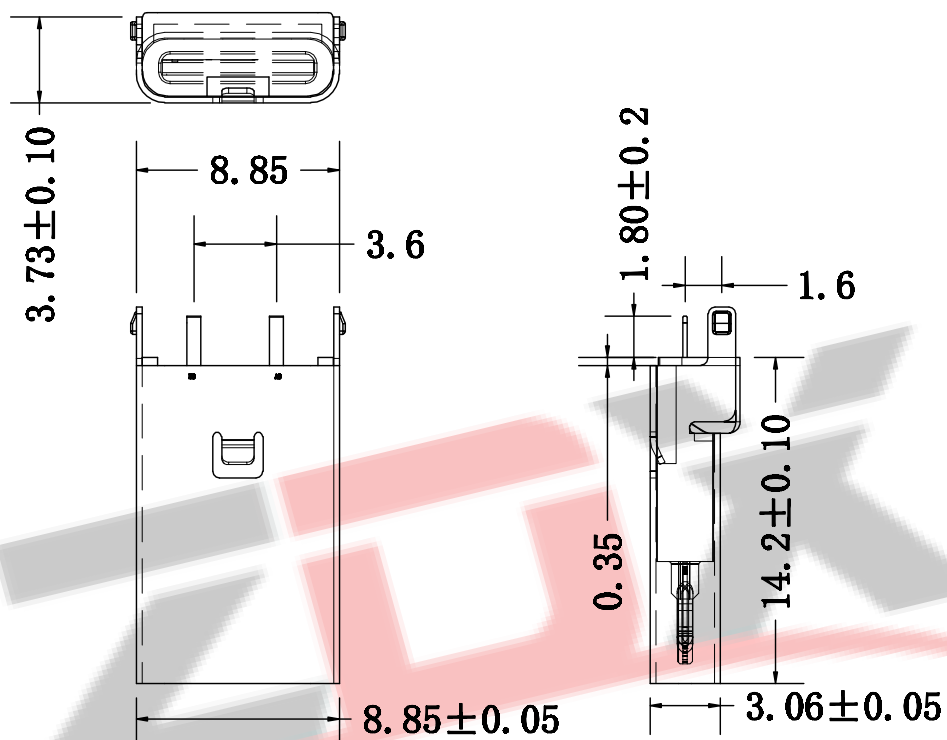
不锈钢壳四周镀80U”(MIN)镍底,

PIN ASSIGNMENTS

A5	CC1	B12	GND
A9	VBUS	B9	VBUS
A12	GND	B5	CC2
PIN	SIGNAL NAME	PIN	SIGNAL NAME

ZDX 深圳市兆达鑫科技有限公司
Shenzhen Zhao Xin Technology Co., Ltd.

TOLERANCE: X.X ±0.30 X.XX ±0.20 X.XXX ±0.10 X.XX ±0.10 X.X ±0.05	DRAWN BY : 刘志强	DATE : 2015.08.18	PART NAME: TYPE-C2PIN立式插板H13.7	
 UNIT: mm [inch] SCALE: 1:1 SIZE: A4	CHECKED BY: 李毅	DATE : 2015.08.18	PART NO.	SEE TABLE
	APPROVED BY: 张少辉	DATE : 2015.08.18	MOLD NO.	
			DRAW NO:	ZDJNKJ00002202
			SHEET NO.	1 OF 1



RECOMMENDED P.C.B. LAYOUT
TOLERANCE UNSPECIFIED ±0.05mm

规格说明: Specifications:

电气特性: Electrical:

1. 额定电流: Current Rating
3.0A/contact terminal
2. 额定电压: Voltage Rating
30V DC
3. 接触阻抗: Contact Resistance
30 milliohms MAX
4. 耐电压: Dielectric Withstanding Voltage:
500 V AC AT Sea Level
5. 绝缘阻抗: Insulation Resistance:
1000MEGA ohms MIN

物理性能: Mechanical:

1. 插拔力: Connector Mate and Unmate Force
Mate force: 3.57kgf(MAX)
Unmate force: 1.02kgf(MIN)

原材料: Material:

1. 塑胶: Housing: LCP+30%GF
2. 端子: Contact: Copper Alloy 高导电: C2680-EH
3. 外壳: Shell: Copper Alloy C201 不锈钢

电镀: Finish:

1. 端子: Contact: Plated Gold in Mating Area;
Tin On Solder Tails

端子四周镀50-80U”(MIN)镍底, 80-120U”锡, 刷金1U”

2. 外壳: Shell:

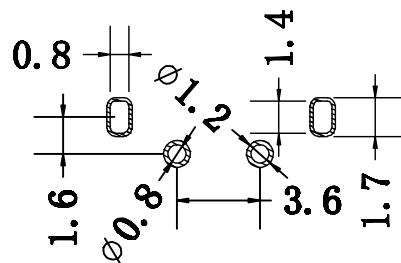
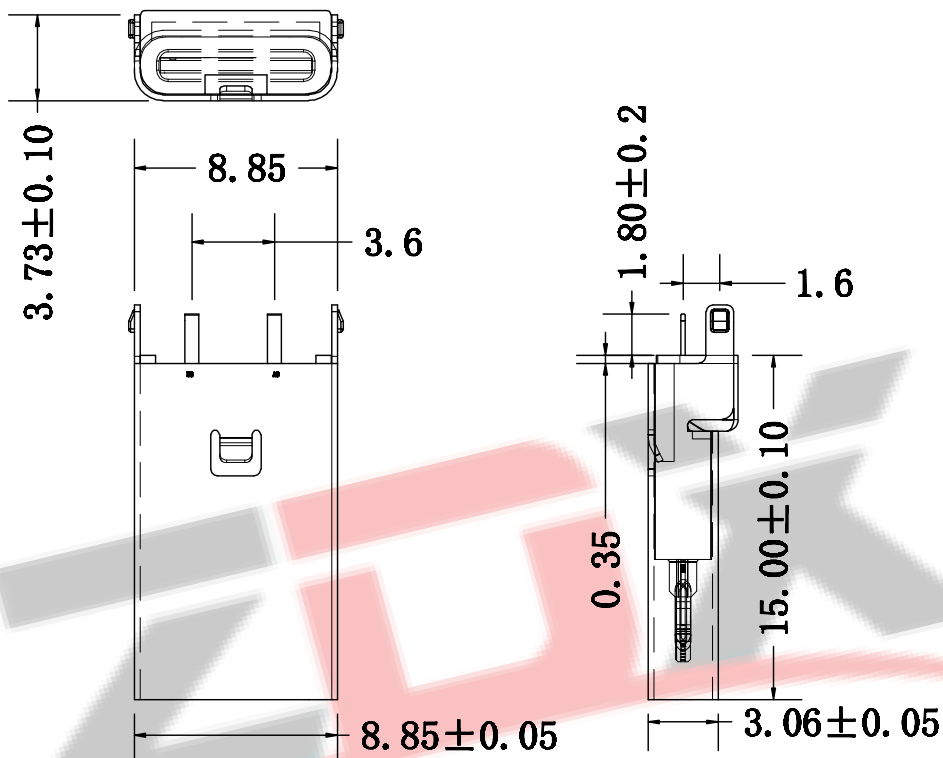
不锈钢壳四周镀80U”(MIN)镍底,

PIN ASSIGNMENTS

A5	CC1	B12	GND
A9	VBUS	B9	VBUS
A12	GND	B5	CC2
PIN	SIGNAL NAME	PIN	SIGNAL NAME

ZDX 深圳市兆达鑫科技有限公司
Shenzhen Zhao Xin Technology Co., Ltd.

TOLERANCE: X.XX ±0.30 X.XXX ±0.20 X.XXX ±0.10 X.X ±10° X.X ±5°	DRAWN BY : 刘志强	DATE : 2015.08.18	PART NAME: TYPE-C2PIN立式插板H14.2
 UNIT: mm [inch] SCALE: 1:1 SIZE: A4	CHECKED BY: 李毅	DATE : 2015.08.18	PART NO. SEE TABLE
	APPROVED BY: 张少辉	DATE : 2015.08.18	MOLD NO.
		DRAW NO.: ZDJNKJ00002203	SHEET NO. 1 OF 1



RECOMMENDED P.C.B. LAYOUT
TOLERANCE UNSPECIFIED ±0.05mm

规格说明: Specifications:

电气特性: Electrical:

1. 额定电流: Current Rating
3.0A/contact terminal
2. 额定电压: Voltage Rating
30V DC
3. 接触阻抗: Contact Resistance
30 milliohms MAX
4. 耐电压: Dielectric Withstanding Voltage:
500 V AC AT Sea Level
5. 绝缘阻抗: Insulation Resistance:
1000MEGA ohms MIN

物理性能: Mechanical:

1. 插拔力: Connector Mate and Unmate Force
Mate force: 3.57kgf(MAX)
Unmate force: 1.02kgf(MIN)

原材料: Material:

1. 塑胶: Housing: LCP+30%GF
2. 端子: Contact: Copper Alloy 高导电: C2680-EH
3. 外壳: Shell: Copper Alloy C201 不锈钢

电镀: Finish:

1. 端子: Contact: Plated Gold in Mating Area;
Tin On Solder Tails

端子四周镀50-80U”(MIN)镍底, 80-120U”锡, 刷金1U”

2. 外壳: Shell:

不锈钢壳四周镀80U”(MIN)镍底,

PIN ASSIGNMENTS

A5	CC1	B12	GND
A9	VBUS	B9	VBUS
A12	GND	B5	CC2
PIN	SIGNAL NAME	PIN	SIGNAL NAME

ZDX 深圳市兆达鑫科技有限公司
Shenzhen Zhao Xin Technology Co., Ltd.

TOLERANCE: X.X ±0.30 X.XX ±0.20 X.XXX ±0.10 X.XX ±0.10 X.X ±0.05	DRAWN BY : 刘志强	DATE : 2015.08.18	PART NAME: TYPE-C2PIN立式插板H15.0	
 UNIT: mm [inch] SCALE: 1:1 SIZE: A4	CHECKED BY: 李毅	DATE : 2015.08.18	PART NO.	SEE TABLE
	APPROVED BY: 张少辉	DATE : 2015.08.18	MOLD NO.	
			DRAW NO:	ZDJNKJ00002204
			SHEET NO.	1 OF 1