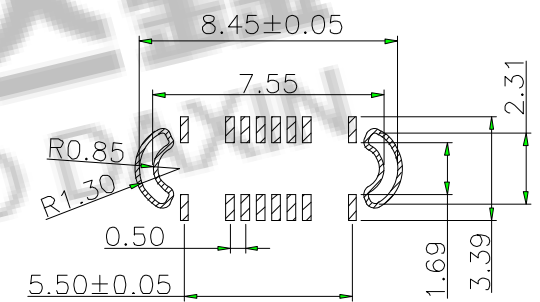
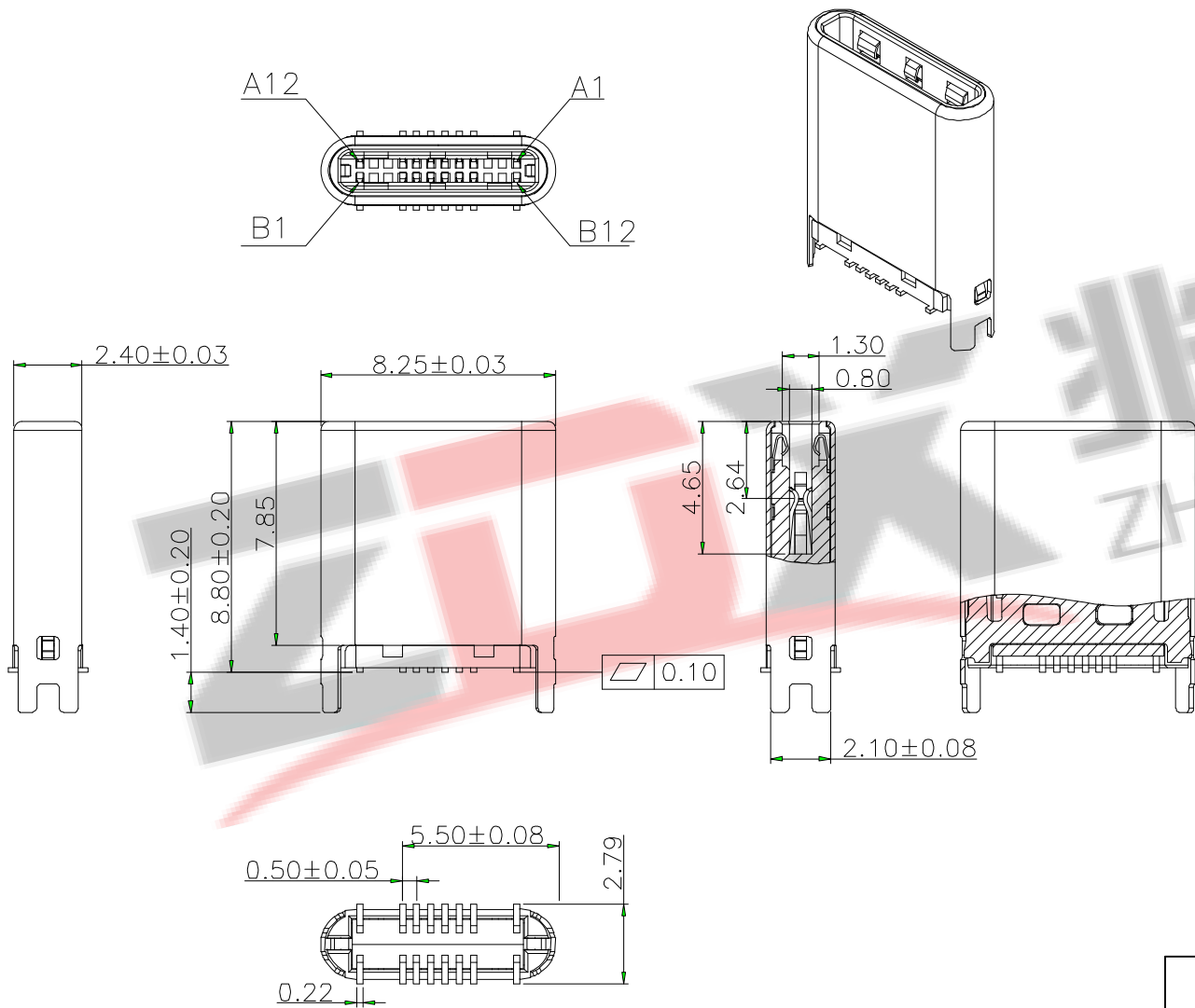


NOTE :

- 1. Seletive Plating
- L0:1u" Gold In Contact Area  
100u" Tin In Tail Area
- L1:5u" Gold In Contact Area  
100u" Tin In Tail Area
- L2:8u" Gold In Contact Area  
100u" Tin In Tail Area
- L3:10u" Gold In Contact Area  
100u" Tin In Tail Area
- L4:15u" Gold In Contact Area  
100u" Tin In Tail Area
- L5:30u" Gold In Contact Area  
100u" Tin In Tail Area



RECOMMENDED P.C.B. LAYOUT  
TOLERANCE UNSPECIFIED ±0.05mm

4	Housing	HIGH TEMP	WHITE&BLACK	UL 94V-0
3	Latch	STAINLESS STEEL	—	SN Plated
2	Terminal	COPPER ALLOY	—	Gold Plated
1	Shell	STAINLESS STEEL	—	Ni Plated
NO.	DESCRIPTION	MATERIAL	COLOR	REMARK

**ZDX** 深圳市兆达鑫科技有限公司  
Shenzhen Zhao Xin Technology Co., Ltd.

TOLERANCE: X.XX ±0.30 X.XXX ±0.20 X.XXX ±0.10 X.X ±0.10 X.X ±0.05 X.X ±0.02	DRAWN BY : 刘志强	DATE : 2015.08.18	PART NAME: TYPE-C公头立贴带EMCH8.8	
	CHECKED BY: 李毅	DATE : 2015.08.18	PART NO.	SEE TABLE
UNIT: mm [inch] SCALE:1:1 SIZE: A4	APPROVED BY: 张少辉	DATE : 2015.08.18	MOLD NO.	
			DRAW NO.	
			SHEET NO.	1 OF 1